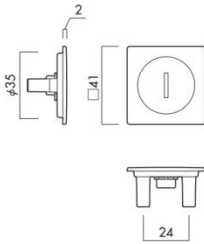


GSC / GSCU Sliding Door Lock

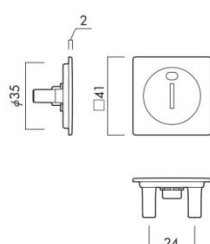


* Pearl Chrome (Pcr), Satin Gold (SG) can be produced as special order.

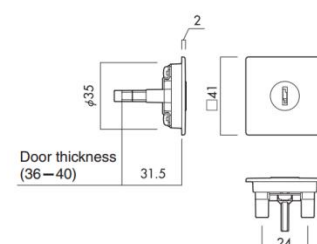
●3SC/3SCU (Outside)



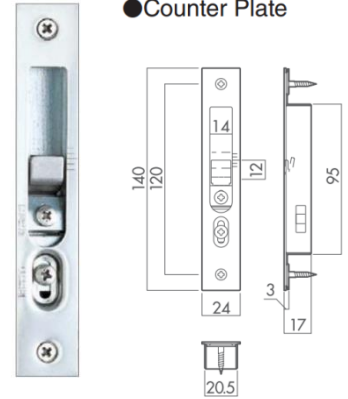
●4SC/4SCU (Outside)



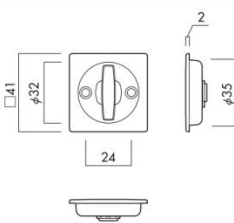
●5SC/5SCU (Outside)



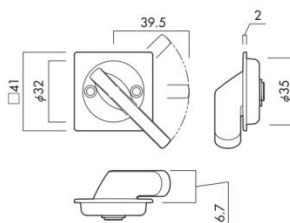
●Counter Plate



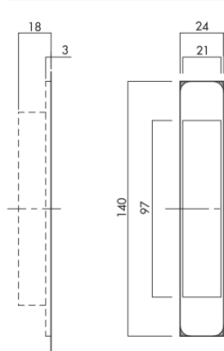
●3SC/4SC/5SC (Inside)



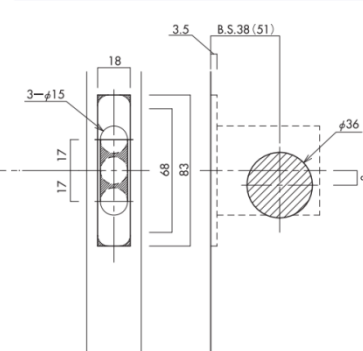
●3SCU/4SCU/5SCU (Inside)



●Frame



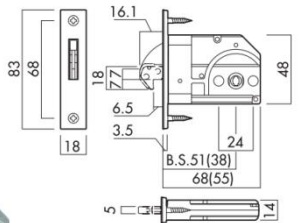
●Door



Lock (Back set 38 mm)



Lock (Back set 51 mm)



*Dimension in () is for 38 mm Back set

Part No.	Type	Colour	Door Thickness	Back Set
GD238K-ZK-3SC(Cr/G/N)	Without Indicator	Chrome Gold Nickel	36 - 40	38
GD238K-ZK-4SC(Cr/G/N)	With Indicator			
GD238K-ZK-5SC(Cr/G/N)	With Cylinder Lock		40	
GD251K-ZK-3SC(Cr/G/N)	Without Indicator		36 - 40	51
GD251K-ZK-4SC(Cr/G/N)	With Indicator			
GD251K-ZK-5SC(Cr/G/N)	With Cylinder Lock			

Part No.	Type	Colour	Door Thickness	Back Set
GD238K-ZK-3SCU(Cr/G/N)	Without Indicator	Chrome Gold Nickel	36 - 40	38
GD238K-ZK-4SCU(Cr/G/N)	With Indicator			
GD238K-ZK-5SCU(Cr/G/N)	With Cylinder Lock		40	
GD251K-ZK-3SCU(Cr/G/N)	Without Indicator		36 - 40	51
GD251K-ZK-4SCU(Cr/G/N)	With Indicator			
GD251K-ZK-5SCU(Cr/G/N)	With Cylinder Lock			